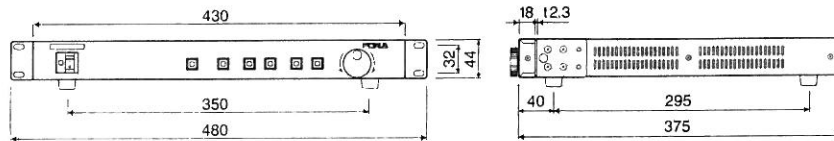
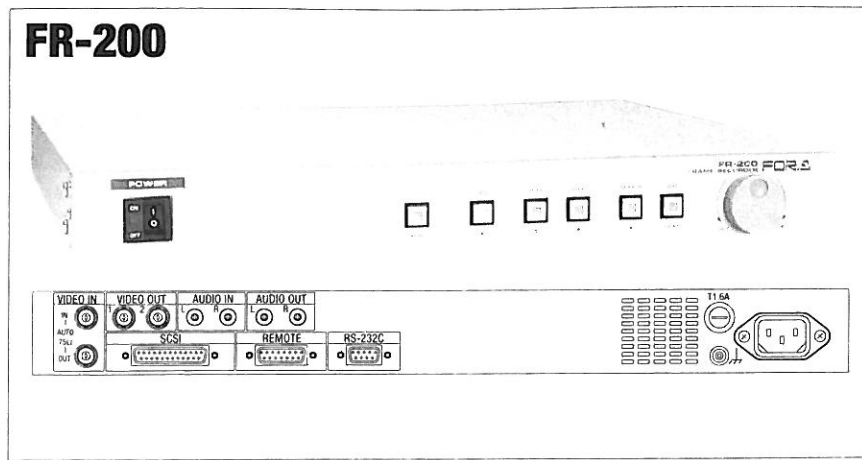


■ HDD Frame Recorder

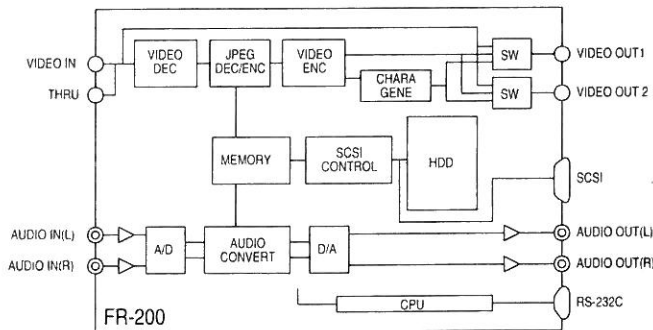
FR-200



Economical A/V digital disk recorder. Ideal for use in multimedia environments, training, surveillance, or information/observation related applications. Accepts composite video and 2-channel audio for complete record support. Operational parameters easily set at monitor displayed menus.

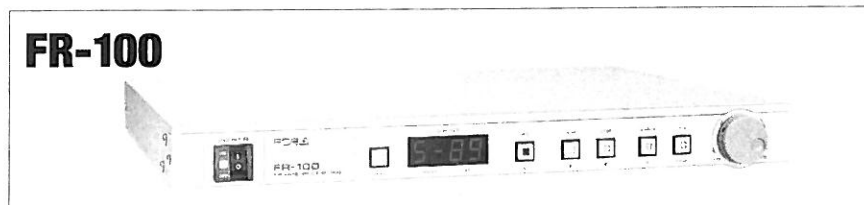
- Better resolution than timelapse VTRs. Search realtime or slow motion.
- Dual video channel playback, freeze, search, recall, go to capable. Looped record or playback possible.
- Can be set to record automatically at specified time intervals and/or for specified time lengths.
- 3 compression rate selections, 2 different HDD capacity versions, optional external HDDs.
- Alarm event memory for use when interfacing to alarm devices. 'Go to' alarm frame feature.

Standard	NTSC or PAL (selectable)
Inputs	
Video	Composite, 1.0 Vp-p, 75Ω or loophrough, 1 ea., BNC
Audio	-10dBs, unbalanced, 10KΩ, 2ea. (L/R), RCA
Outputs	
Video	Composite, 1.0 Vp-p, within +/- 3dB, 75Ω, 2 ea. (time display one output), BNC
Audio	-10dBs, unbalanced, low impedance, 2 ea. (L/R), RCA
Resolution	720 (H) x 240 (V) (NTSC), 720 (H) x 284 (V) (PAL)
Compression	1/13, 1/22, or 1/44 selectable
Drive Capacity	FR-200 (no internal HD)*, FR-200G9 (9GB), FR-200G18 (18GB) (*If FR-200 (no internal HD) purchased, see your FOR-A supplier for installable off shelf drive models)
Record Length	Approx. 38 min. (High), 76 min. (Normal), or 152 min. (Low) if NTSC/FR-200G9
Control Interfaces	RS-232C (9-pin DB), REMOTE (15-pin DB), SCSI (25-pin DB)
Power/Consumption	100VAC - 240VAC ±10%, 50/60Hz / Approx. 60VA (30W)
Dimensions	430 (W) x 44 (H) x 375 (D) mm
Weight	Approx. 5.0 kg
Options	FR-100RU remote control



■ RAM Frame Recorder

FR-100



Economical A/V RAM based tapeless recorder. Accepts composite video. Add FR-100AU option (factory upgrade) for 1 channel audio. Or add one of the available memory expansions options. 3 JPEG compression rates.